

&lt;- Back

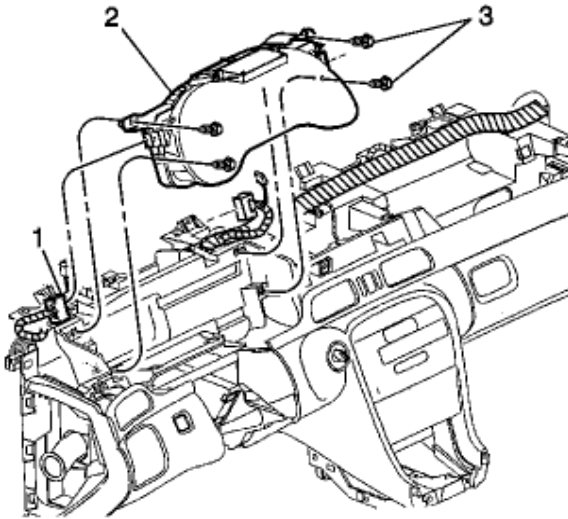
Forward -&gt;

**Document ID# 555907**  
**2000 Cadillac Seville**

Print

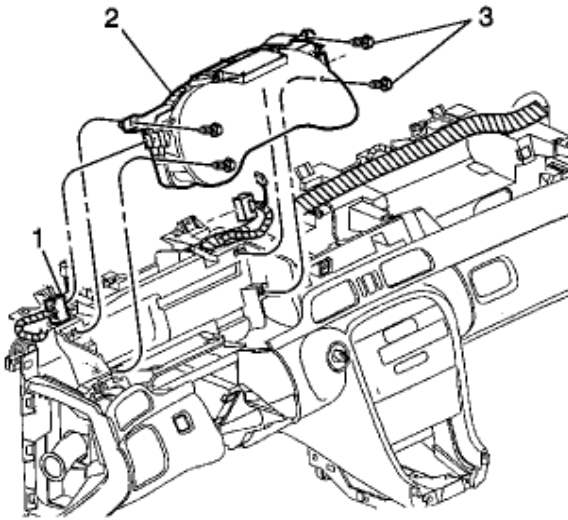
# Instrument Panel Cluster (IPC) Replacement

## Removal Procedure



1. Remove the IP upper trim pad. Refer to [Trim Pad Replacement - Instrument Panel \(I/P\) Upper](#) .
2. Remove the instrument cluster trim panel. Refer to [Trim Panel Replacement - Instrument Panel \(I/P\) Cluster](#) .
3. Remove the four fasteners (3) from the IP cluster to the IP retainer.
4. Partially remove the IP cluster.  
Disconnect the electrical connectors (1) on each side of the IP cluster.
5. Remove the IP cluster (2) from the retainer.

## Installation Procedure



1. Set the IP cluster (2) partially into the retainer.
2. Connect the electrical connectors (1).
3. Align the IP cluster to the retainer.
4. Install the four fasteners (3).

#### **Tighten**

Tighten the cluster fasteners to 1.5 N·m (14 lb in).

5. Install the IP cluster trim panel. Refer to [Trim Panel Replacement - Instrument Panel \(I/P\) Cluster](#) .
6. Install the IP upper trim pad. Refer to [Trim Pad Replacement - Instrument Panel \(I/P\) Upper](#) .

[<- Back](#)[Forward ->](#)

**Document ID# 555907**  
**2000 Cadillac Seville**

[Print](#)